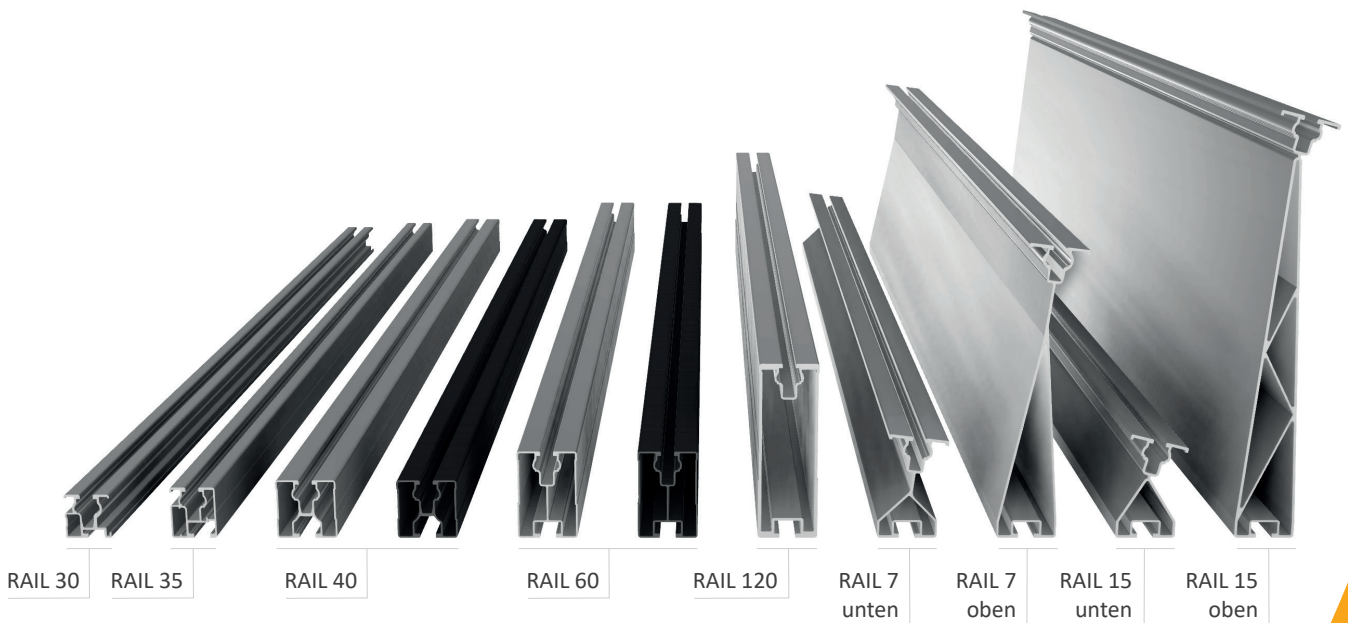




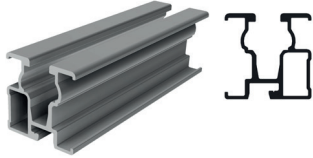
Your advantages with our products

- » Deep top rail channel accommodates module clamps for frame heights 30 mm - 50 mm
- » Bottom rail channel is optimized to fit all SL Rack rooftop attachments
- » Compatible with popular racking systems on the market
- » Easy handling and stacking
- » Same weight/static values as comparable products
- » Different rail heights result in varying spans (RAIL 60 and RAIL 120 provide the longest spans between roof attachments)
- » RAIL 30 and 35 is weight-optimized for lower loads
- » RAIL 120 ensures easy access to plugs and better rear ventilation of the modules
- » RAIL 7 can lead to yield increase, thanks to an additional inclination of 7°
- » RAIL 15 can lead to yield increase, thanks to an additional inclination of 15°
- » Available in various length, also in black anodized

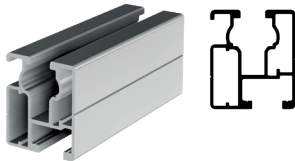


*Our warranty conditions apply.
They are available at www.sl-rack.com

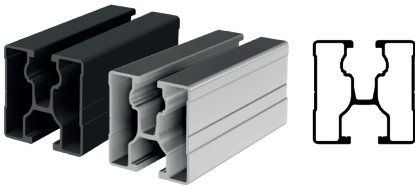
Variants



RAIL 30 - 5400 mm
Item no. 81130-5400



RAIL 35 - 4750 mm
Item no. 81135-4750



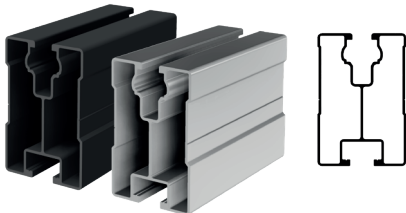
RAIL 40 - 2400 mm
Item no. 81140-2400

RAIL 40 - 4750 mm, black anodized
Item no. 86140-4750

RAIL 40 - 3600 mm
Item no. 81140-3600

RAIL 40 - 5850 mm,
Item no. 81140-5850

RAIL 40 - 4750 mm
Item no. 81140-4750

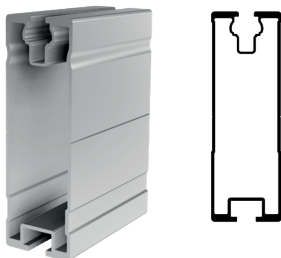


RAIL 60 - 2400 mm
Item no. 81160-2400

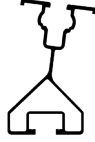
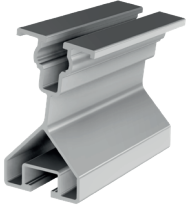
RAIL 60 - 4750 mm, black anodized
Item no. 86160-4750

RAIL 60 - 3600 mm
Item no. 81160-3600

RAIL 60 - 4750 mm
Item no. 81160-4750



RAIL 120 - 5400 mm
Item no. 81112-5400



RAIL 7 bottom - 4750 mm
Item no. 81107-4750



RAIL 7 top - 4750 mm
Item no. 81106-4750

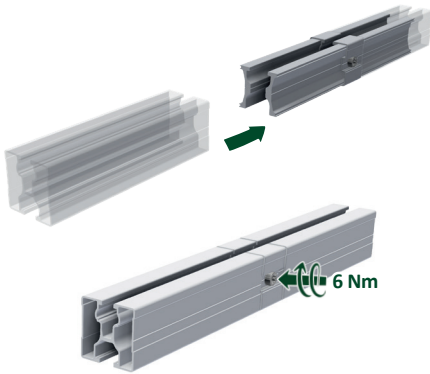


RAIL 15 bottom - 4750 mm
Item no. 81115-4750



RAIL 15 top - 4750 mm
Item no. 81114-4750

Connectors



Internal Connector RAIL 2.0 for RAIL 35

Item no. 81135-02

Internal Connector RAIL 2.0 for RAIL 40

Item no. 81140-02

Internal Connector RAIL 2.0 for RAIL 40, black anodized

Item no. 86140-02

Internal Connector RAIL 2.0 for RAIL 60

Item no. 81160-02

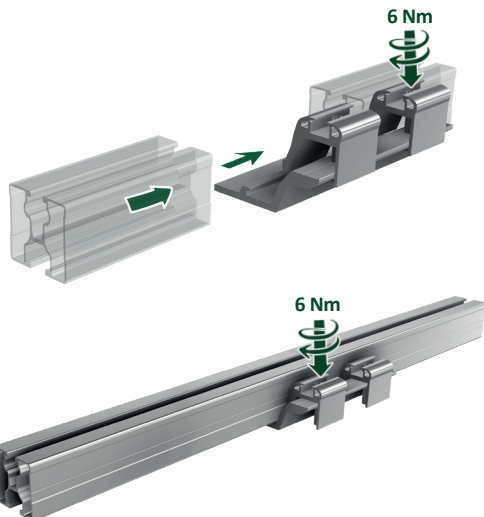
Internal Connector RAIL 2.0 for RAIL 60, black anodized

Item no. 86160-02

Internal Connector RAIL 2.0 for RAIL 120

Item no. 81112-02

1. Insert the connector into the RAILS
2. Fixate the bolts on both sides with Torx 40 with a tightening torque of 6 Nm.



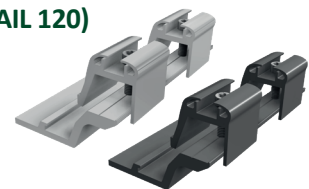
External Connector for all RAILS (excl. RAIL 120)

Item no. 81100-00

External Connector for all RAILS (excl. RAIL 120), black anodized

Item no. 86100-00

1. Insert the end of the first profile into the external connector and fixate the profile clamp with Torx 40 with a tightening torque of 6 Nm.
2. Insert the end of the second profile flush and fixate the second profile clamp with Torx 40 with a tightening torque of 6 Nm as well.



Accessories

For Rail 40 and 60 we also offer color-matched end caps, which have openings for drainage and are compatible with other systems on the market:



Plastic End Cap RAIL 40, grey

Item no. 94640-06

Plastic End Cap RAIL 40, black

Item no. 94640-05

Plastic End Cap RAIL 60, grey

Item no. 94660-06

Plastic End Cap RAIL 60, black

Item no. 94660-05



Technical Data

Material	Aluminum, stainless steel (bolts)
Design Tool	SL-Rack-Configurator Solar.Pro.Tool .
Statik	The statics calculation takes place as per the current country-specific standards (EN 1991, EC1 for Germany). Depending on snow or wind loads or for large modules, it may be necessary to use more than the standard 4 attachment points. Please make sure to comply with the instructions of the module manufacturer contained in the installation manual. We do not assess the load-bearing capacity of the roof.

Your opinion is important to us!

We want to make your everyday work easier.
Your praise, criticism and suggestions for improvement help
us to do this. We look forward to your feedback.



SL Rack **Feedback**
[Provide Feedback >](#)



SL Rack **Website**
[Check it out >](#)



SL Rack **YouTube**
[Watch videos >](#)

Find us on



Subject to technical changes
and misprints.
Version 07/2023 V15